



KIT PART NUMBER 1472461

INSTRUCTIONS FOR INSTALLING PILFERAGE DOOR REPLACEMENT DISKS

CHECK THE PARTS RECEIVED IN THE KIT WITH THE PARTS LIST IN THESE INSTRUCTIONS. IF ANY PARTS ARE MISSING, CONTACT THE NATIONAL VENDORS PARTS DEPARTMENT IMMEDIATELY.

**Read these instructions carefully before installing the kit.
Keep these instructions for part numbers and for future reference.**

This kit contains the following:

INDEX	PART NUMBER	DESCRIPTION	QUANTITY
1	1472452	END DISK - PILFERAGE DOOR - L.H.	1
2	1472453	END DISK - PILFERAGE DOOR - R.H.	1
3	1472455	WASHER - SUPPORT	2
4	1472456	BUSHING - PIVOT	2
5	1472457	SCREW - 1/4-20 X 1.75 HEX BUTTON HD.	2
6	4041241	NUT - 1/4-20 SELF LOCKING	2
7	1472462	KIT INSTRUCTIONS	1

See figure 1:

1. Remove the delivery pan assembly from the door.
2. Place the delivery pan assembly on its right end.
3. Remove screws from the left end and remove the left end plate.
4. Unhook the spring.
5. Lift both cylinders from the right end plate.
6. Remove one end disk from the deliver door assembly.
7. Slide out the pilferage door assembly.
8. Remove the existing pivot bushings from the sidewalls.
9. Remove and replace both pilferage door disks. Note L.H. and R.H. ends.
10. Slide the pilferage door assembly into the delivery door assembly and replace the delivery door end disk. Note the L.H. and R.H. ends.
11. Lubricate the pivot bushings with silicone compound.
12. Replace the left end plate.
13. See figure 2. Align the timing marks.
14. Insert the pivot bushing, screw and nut.



15. Replace the right end plate.
16. Align the timing marks.
17. Insert the pivot bushing, screw, and nut.
18. Replace the screws in the left end.
19. Rehook the spring.
20. Check timing and test the unit.
21. Replace the unit on the door.

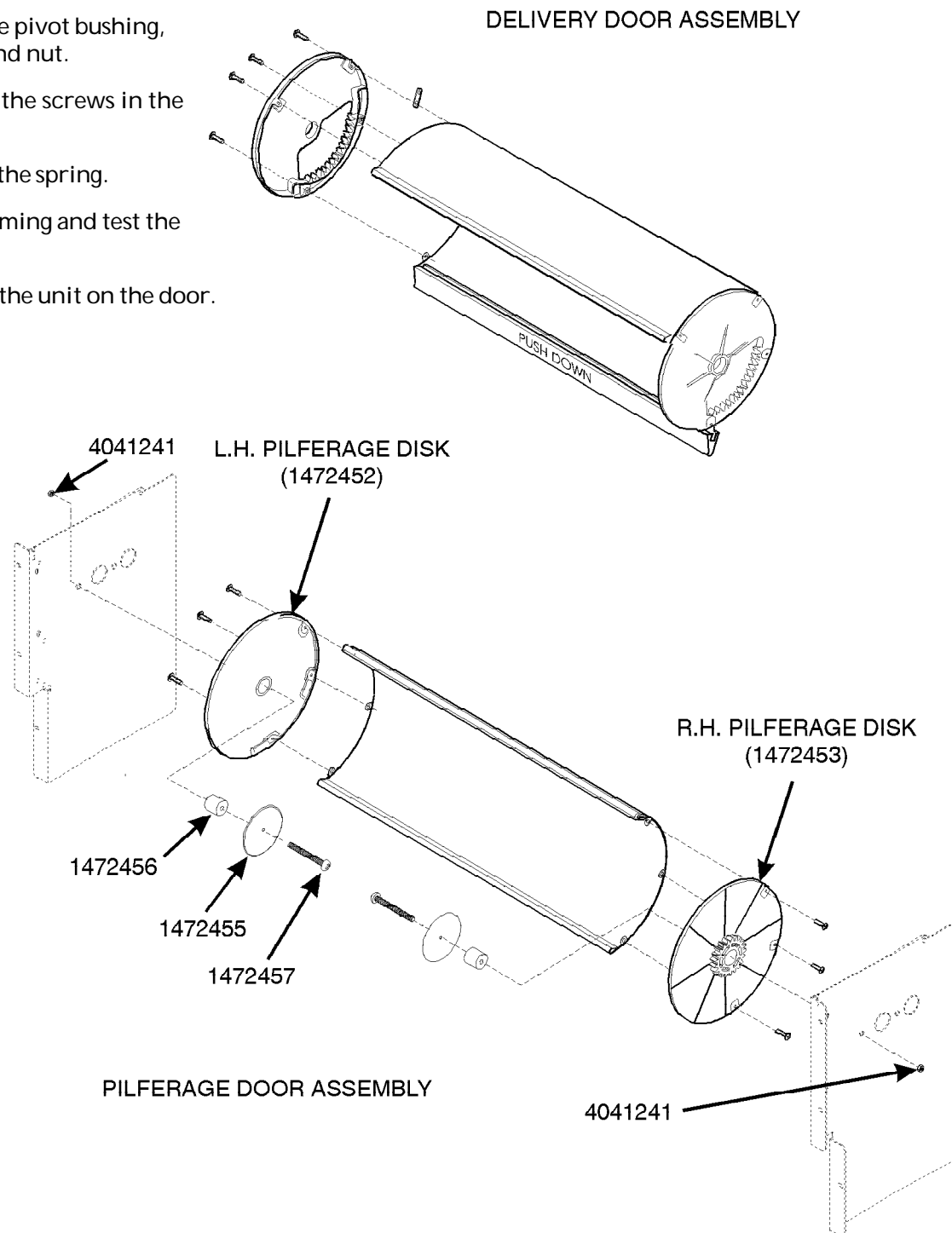


Figure 1



ALIGN TIMING MARKS

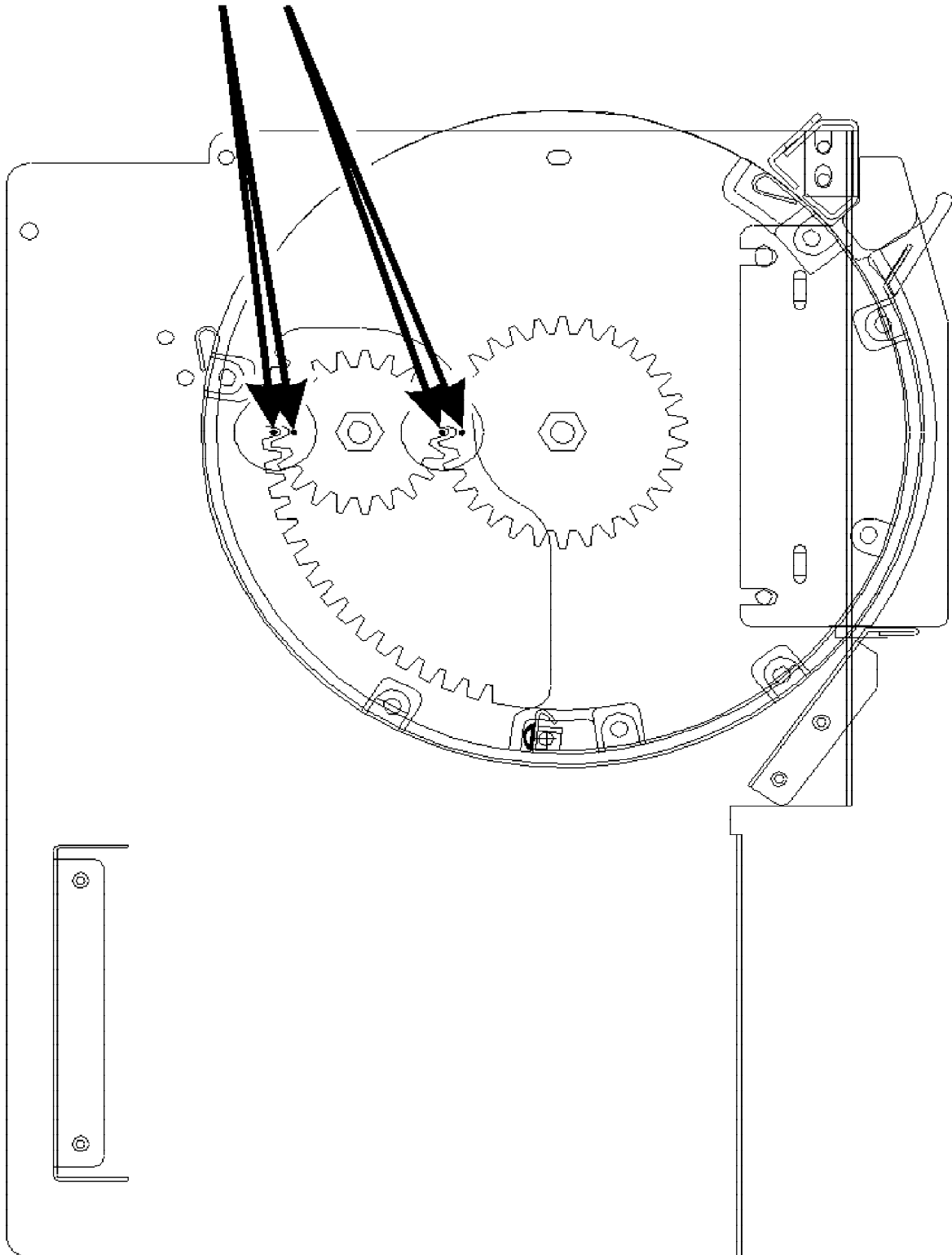


Figure 2